



L01-2008C-W

- 5W
- 600LM
- IP44
- 4-5H(5V,1A)
- HIGH:3H/LOW:6H

SIZE & WEIGHT

φ 82*65mm & 267g

BEAM ANGLE

60 Degree

CCT RA

Optional 70

ACCESSORY

USB cable

BATTERY

3.7V ,4000mAh

WORKING MODE

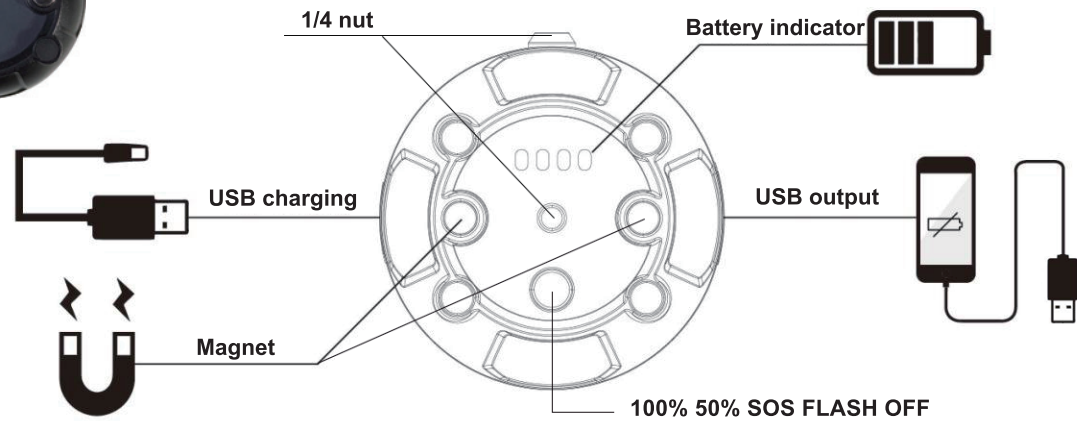
HIGH-LOW-SOS-FLASH-OFF

BATTERY INDICATOR

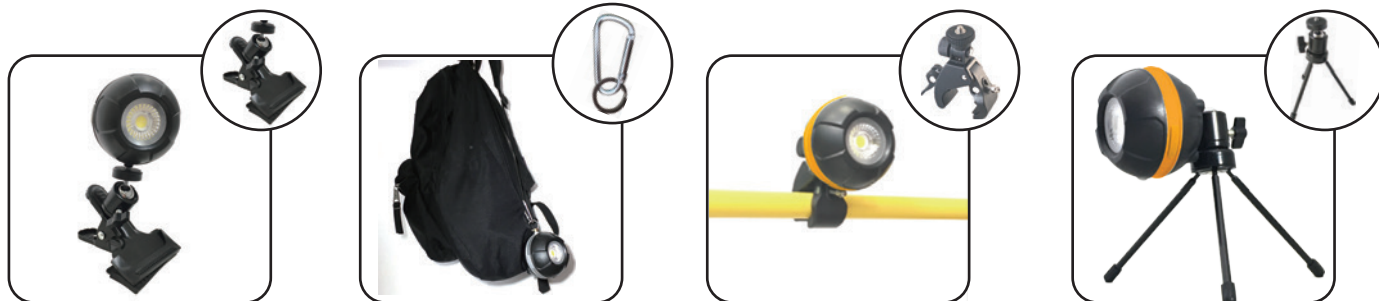
With 4pcs battery indicators

BATTERY PROTECTION

Over-charging and over-discharging protection



Optional



L01-2009C-W

- 5W
- 600LM
- 5-6H(5V,1A)
- HIGH:3H/LOW:6H
- IP44

SIZE& WEIGHT

φ 89*106.5mm, 420g(magnetic base included)

BEAM ANGLE

60 Degree

BATTERY

3.7V 4000mAh

RA

>70

CCT

Optional

WORKING MODE

HIGH-LOW-SOS-OFF

ACCESSORY

USB cable

BATTERY PROTECTION

Over-discharging protection and over-charging protection



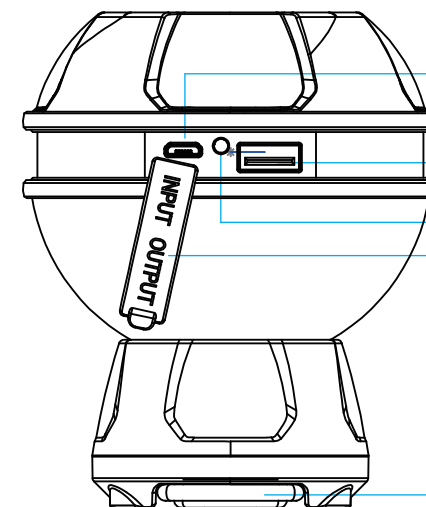
Rubber ring (Fluorescence)



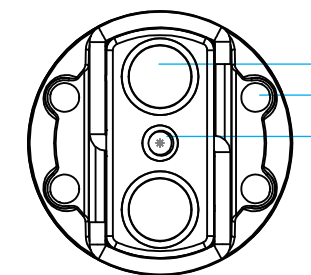
USB



Magnet & Hook



- USB Input
- Rubber ring (Fluorescence)
- USB Output
- Battery Indicator
- Rubber



- Magnet
- Rubber
- 1/4 Nut