

A photograph of an industrial site at night. On the left, a tall, white, lattice-structured tower is illuminated from below. In the foreground on the right, a black industrial lighting fixture is mounted on a stand, pointing towards the tower. The background is dark, with some distant lights visible. The overall scene is industrial and brightly lit by the site's own lighting.

INDUSTRIAL SITE LIGHT

2018-2019
CATALOG

LUCO®



LUCOH
www.lucoh.com



Lucoh is a leading manufacturer and supplier of portable battery lighting products and industrial LED lighting for construction, industry and hazardous work environments. For over years, LUCOH has been providing the very best in battery portable lighting, industrial lighting and static grounding products for using on the most challenging job-sites.

At Lucoh, We have built our reputation on providing customers with safe, dependable lighting and they are tough enough for any industry. From Oil and gas to aviation, construction, chemical, and automotive, Lucoh's products can be found across a wide array of sectors and in some of world's most difficult workplaces.

Part of our customers come back to us time and again is that LUCOH can offer various of R & D solutions according to customers' unique requirements. Our team understand today's competitive environments and we can not afford to any projects always with old solutions. The new products' design will help us and keep our customers always stay ahead of the market.

TEL:+86-571-87114761

FAX:+86-571-87114571

E-mail:sales@lucoh.com

Web:www.lucoh.com

LUCOH Battery system



TJ-41

Transform adaptor



PANASONIC
14.4V & 18V



HITACHI
14.4V & 18V



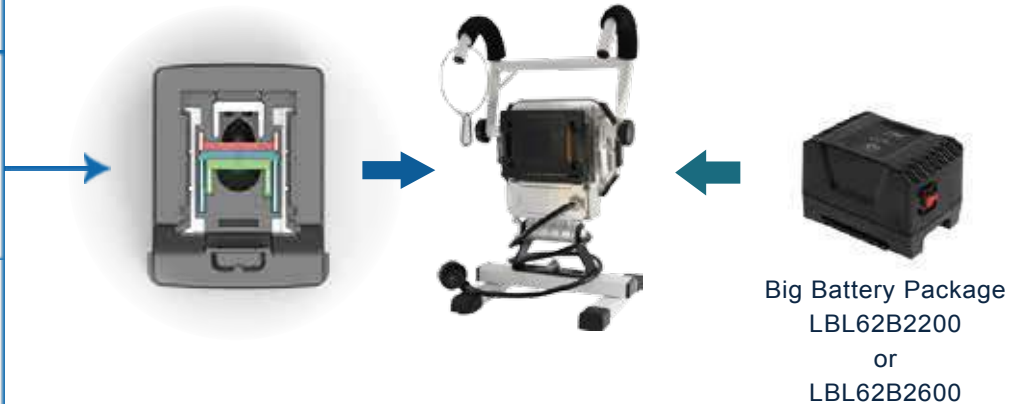
MAKITA
14.4V & 18V



BOSCH
14.4V & 18V



Make use of tool batteries



Suit for following lamps



L10-2040 series



L10-G2040-B series



L10-HBD series

Portable Industrial Flood Light

L10 Series





Battery

Fire resistant PC housing.
Detachable battery pack.
Battery indicators.
USB output for optional.

Bracket

Frame protection.
M10 nut can fix the lamp onto tripod stand.
Painting surface.

PC lens

Half-angle 60 degree.
Perfect light beam.
Optical PC material.



L10-2040-40W

- 40W
- 4000LM
- IP65
- 3-4 H/Battery
- 3-4 H/Battery, 6-7H/2* Batteries

Size & Weight

234.5*178.5*284.08mm & 3885g

1m intensity of illumination

3300lux

Beam Angle

60 Degree(half angle) 120 Degree(full angle)

CCT

optional(6000-6500K is the most popular)

Accessory

AC 100-240V input, DC 25.2V, 2A output charger

Battery

1 or 2 batteries

(capacity of each battery: 22.2V , 4.4Ah or 5.2Ah)

Working Mode

100%-50%-off

Battery Indicator

5 levels indicator
green/green/green/amber/red

Battery protection

over-charging and over-discharging protection and high temperature protection(70 C).



Angle adjustable

Quick release for adjustable head.

The handle

Ergonomics design--convenient to hold and good touch.

Lamp head

Aluminium alloy material--good for heat dissipation.
Rubber cover surface--shockproof.
4mm tempered glass.

L10-2040-20W

- 20W
- 2000LM
- IP65
- 3-4 H/Battery
- 7-8 H/Battery, 14-15H/2* Batteries

Size & Weight

234.5*178.5*284.08mm & 3885g

1m intensity of illumination

1600lux

Beam Angle

60 Degree(half angle) 120 Degree(full angle)

CCT

optional(6000-6500K is the most popular)

Accessory

AC 100-240V input, DC 25.2V, 2A output charger

Battery

1 or 2 batteries

(capacity of each battery 22.2V , 4.4Ah or 5.2Ah)

Working Mode

100%-50%-off

Battery Indicator

5 levels indicator
green/green/green/amber/red

Battery protection

over-charging and over-discharging protection and high temperature protection(70 C).

L10-1020-20W

P 20W

1500LM

IP65

3-4 H/Battery

3-3.5H/Battery,6-7H/2* Batteries

Size & Weight

184*156.51*224.73mm & 1905g

1m intensity of illumination

1600lux

Beam Angle

60 Degree(half angle) 120 Degree(full angle)

CCT

optional(6000-6500K is the most popular)

Accessory

AC 100-240V input,DC 12V,1A output adaptor and

12/24V car charger

Battery

1or 2 batteries

(capacity of each battery: 7.4V ,4.4Ah)

Working Mode

100%-50%-off

Battery Indicator

5 levels indicator

green/green/green/amber/red

Battery protection

over-charging and over-discharging protection and high temperature protection(70 C).

L10-1020-10W

P 10W

750LM

IP65

3-4 H/Battery

5-6 H/Battery,10-11H/2* Batteries

Size & Weight

184*156.51*224.73mm & 1905g

1m intensity of illumination

680lux

Beam Angle

60 Degree(half angle) 120 Degree(full angle)

CCT

optional(6000-6500K is the most popular)

Accessory

AC 100-240V input,DC12V,1A output adaptor and

12/24V car charger

Battery

1or 2 batteries

(capacity of each battery: 7.4V ,4.4Ah)

Working Mode

100%-50%-off

Battery Indicator

5 levels indicator

green/green/green/amber/red

Battery protection

over-charging and over-discharging protection and high temperature protection(70 C).



Battery

Fire resistant PC housing.
Detachable battery pack.
Battery indicators.
USB output for optional.

Bracket

Frame protection.
M10 nut can fix the lamp onto tripod stand.
Painting surface.

PC lens

Half-angle 60 degree.
Perfect light beam.
Optical PC material.



Angle adjustable

Quick release for adjustable head.

The handle

Ergonomics design--convenient to hold and good touch.

Lamp head

Aluminium alloy material--good for heat dissipation.
Rubber cover surface--shockproof.
4mm tempered glass.

L10-0510-10W

- Ⓟ 10W
- 💡 750LM
- 🛡️ IP65
- 🔋 3-4 H/Battery
- 🕒 5-6 H/ Battery

Size & Weight

156*177*166mm & 1000g

1m intensity of illumination

680lux

Beam Angle

60 Degree(half angle) 120 Degree(full angle)

CCT

optional(6000-6500K is the most popular)

Accessory

AC 100-240V input, DC 12V,1A output adaptor and 12/24V car charger

Battery

7.4V ,4.4Ah

Working Mode

100%-50%-off

Battery Indicator

5 levels indicator
green/green/green/amber/red

Battery protection

over-charging and over-discharging protection and high temperature protection(70 C)



Battery

Fire resistant PC housing.
Detachable battery pack.
Battery indicators.
USB output for optional.

Angle adjustable

360 degree adjustable head.

PC lens

Half-angle 60 degree.
Perfect light beam.
Optical pc material.

Lamp head

Aluminium alloy material--good for heat dissipation.
Rubber cover surface--shockproof.
4mm tempered glass.

Bracket

Painting surface.
Portable and Hook design



Optional Carrying Case

Portable Industrial Flood Light

L10 G Series





L10-G2040-40W-A

- 40W
- 2400LM
- IP65
- 2*7.4V ,4.4Ah
- 3-4 H/Battery
- 1.5-2 H/1Battery,3-4H/2* Batteries



L10-G2040-40W-B

- 40W
- 4000LM
- IP65
- 1*22.2V ,4.4Ah or 5.2Ah
- 3-4 H/Battery
- 3-4H



Battery

Fire resistant PC housing.
Detachable battery pack.
Battery indicators.
USB output for optional.

Stand

Strong magnet can attach to Iron surface
Adjustable tripod fixed wing screw
Multiple stand are available

PC lens

Half-angle 60 degree.
Perfect light beam.
Optical pc material.

Angle adjustable

Butterfly nut release for adjustable head

The handle

Hook design handle with locking system
Suitable for more complex and hazardous environment

Lamp head

Aluminium alloy material--good for heat dissipation.
Rubber cover surface--shockproof.
4mm tempered glass.



Size & Weight

L10-G2040-40W-A:

215*185*335mm & 2495g

L10-G2040-40W-B:

215*185*335mm & 2650g

1m intensity of illumination

L10-G2040-40W-A:2400lux

L10-G2040-40W-B:3300lux

Accessory

L10-G2040-40W-A:

AC100-240V input,DC12V,1A output adaptor and
12/24V car charger

L10-G2040-40W-B:

AC100-240V input,DC25.2V,2A AC/DC charger

Beam Angle

60 Degree(half angle) 120 Degree(full angle)

CCT

optional(6000-6500K is the most popular)

Working Mode

100%-50%-off

Battery Indicator

5 levels indicator
green/green/green/amber/red

Battery protection

over-charging and over-discharging protection and
high temperature protection(70 C)

L10-G2040-20W-A

- Ⓟ 20W
- 💡 1500LM
- 🛡️ IP65
- 🔋 2*7.4V ,4.4Ah
- ⏴ 3-4 H/Battery
- 🕒 3-3.5 H/Battery,6-7 H/2* Batteries



L10-G2040-20W-B

- Ⓟ 20W
- 💡 2000LM
- 🛡️ IP65
- 🔋 1*22.2V ,4.4Ah or 5.2Ah
- ⏴ 3-4 H/Battery
- 🕒 8H/Battery



Size & Weight

L10-G2040-20W-B:
215*175*335mm & 2495g
L10-G2040-20W-A:
215*175*335mm & 2650g

1m intensity of illumination
1600lux

Accessory

L10-G2040-20W-A:
AC 100-240V input,DC 12V,1A output adaptor and
12/24V car charger

L10-G2040-20W-B:
AC100-240V input,DC25.2V,2A output charger

Beam Angle

60 Degree(half angle) 120 Degree(full angle)

CCT

optional(6000-6500K is the most popular)

Working Mode

100%-50%-off

Battery Indicator

5 levels indicator
green/green/green/amber/red

Battery protection

over-charging and over-discharging protection and
high temperature protection(70 C)



Battery

Fire resistant PC housing.
Detachable battery pack.
Battery indicators.
USB output for optional.

Stand

Strong magnet can attach to Iron surface
Adjustable tripod fixed wing screw
Multiple stand are available

PC lens

Half-angle 60 degree.
Perfect light beam.
Optical pc material.

Angle adjustable

Butterfly nut release for adjustable head

The handle

Hook design handle with locking system
Suitable for more complex and hazardous environment

Lamp head

Aluminium alloy material--good for heat dissipation.
Rubber cover surface--shockproof.
4mm tempered glass.

L10-G0510-10W

- Ⓟ 10W
- 💡 750LM
- 🛡️ IP65
- 🕒 3-4 H/Battery
- 🕒 5-6 H/ Battery

Size & Weight

147*161*240mm & 1260g

1m intensity of illumination
680lux

Beam Angle

60 Degree(half angle) 120 Degree(full angle)

CCT

optional(6000-6500K is the most popular)

Accessory

AC100-240V input,DC12V,1A output adaptor and
12/24V car charger

Battery

7.4V ,4.4Ah

Working Mode

100%-50%-off

Battery Indicator

5 levels indicator
green/green/green/amber/red

Battery protection

over-charging and over-discharging protection
and high temperature protection(70 ℃)



Battery

Fire resistant PC housing.
Detachable battery pack.
Battery indicators.
USB output for optional.

Angle adjustable

Butterfly nut release for adjustable head.

Stand

Strong magnet can attach to Iron surface.
Multiple stands are available.

PC lens

Half-angle 60 degree.
Perfect light beam.
Optical pc material.

Lamp head

Aluminium alloy material--good for heat dissipation.
Rubber cover surface--shockproof.
4mm tempered glass.



AC&DC Hybrid



L10-HBD2040-40W

P 40W

⚡ AC 100-240V,50/60HZ

💡 4000lm

IP IP65

Battery(optional)

1*22.2V ,4.4Ah or 5.2Ah

charging:3-4H

discharging:3-4H

Beam Angle

60 Degree(half angle) 120 Degree(full angle)

1m intensity of illumination

3300lux

Working Mode

100%-50%-off(DC)

On-off,with no button(AC)

Accessory(optional)

AC 100-240V input, DC 25.2V,2A output charger

4-in-1 transform adaptor



Transform adaptor

Tool batteries (HITACHI/ MAKITA/ BOSCH/ PANASONIC) with transform adaptor can replace the big battery package to supply the power.

L10-HBDG2040-40W

P 40W

⚡ AC 100-240V,50/60HZ

💡 4000lm

IP IP65

Battery(optional)

1*22.2V ,4.4Ah or 5.2Ah

charging:3-4H

discharging:3-4H

Beam Angle

60 Degree(half angle) 120 Degree(full angle)

1m intensity of illumination

3300lux

Working Mode

100%-50%-off(DC)

On-off,with no button(AC)

Accessory(optional)

AC 100-240V input, DC 25.2V,2A output charger

4-in-1 transform adaptor (optional)



Transform adaptor

Tool batteries (HITACHI/ MAKITA/ BOSCH/ PANASONIC) with transform adaptor can replace the big battery package to supply the power.

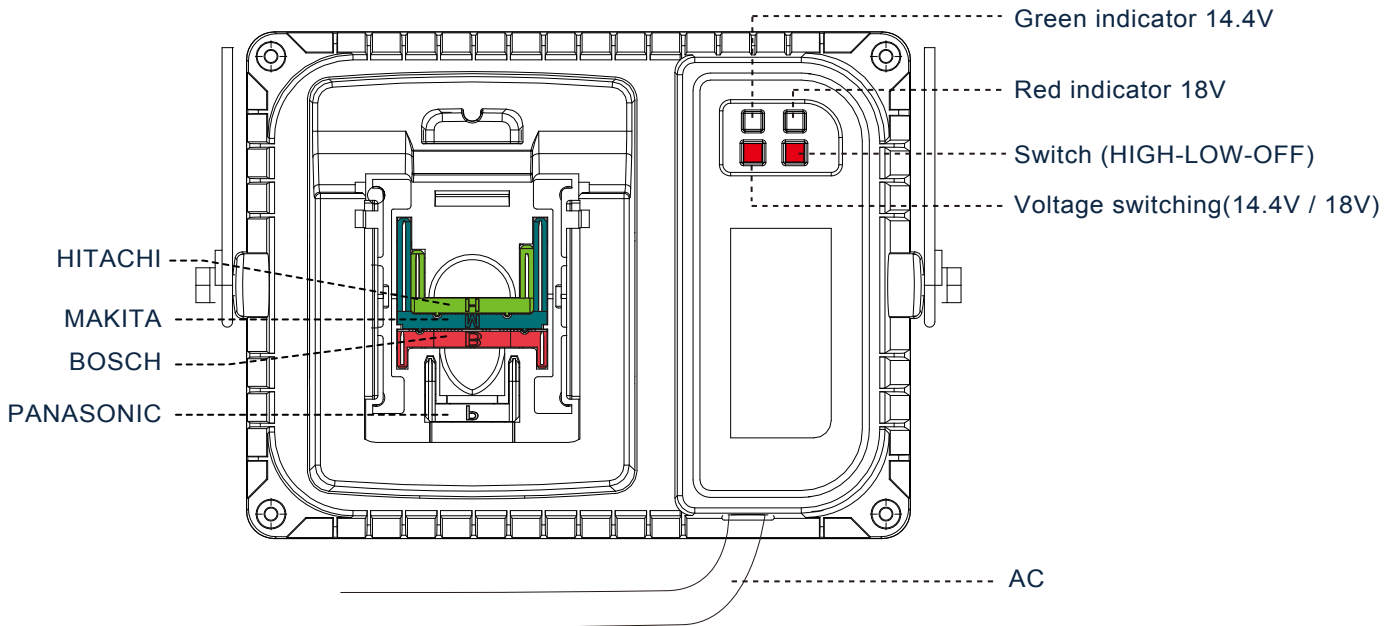


L10-HBD2009

- 15W
- AC 100-240V,50/60HZ
- 1500lm
- IP65
- power supply
DC:14.4V&18V tool batteries
AC:100-240V, 50/60Hz ;
- Working Mode
100%-50%-off(DC)
On-off,with no button(AC)
- Accessory
Waterproof rubber cover



Waterproof rubber cover



Two different power-supply :

4 Brands Tool Batteries Available: HITACHI/ MAKITA/ BOSCH/ PANASONIC

AC (100-240V, 50/60Hz)

Portable Task Light





L01-2008C-W

- 5W
- 600LM
- IP44
- 4-5H(5V, 1A)
- 3.5H

Size & Weight
 φ 82*65mm & 244g

RA
 70
 CCT
 6500K(optional)

Accessory
 optional(excluded)

Battery
 3.7V ,4000mAh

Working Mode
 100%-50%-SOS-FLASH-OFF

Battery Indicator
 With 4pcs battery indicators

Battery protection
 over-charging and over-discharging protection



Magnet

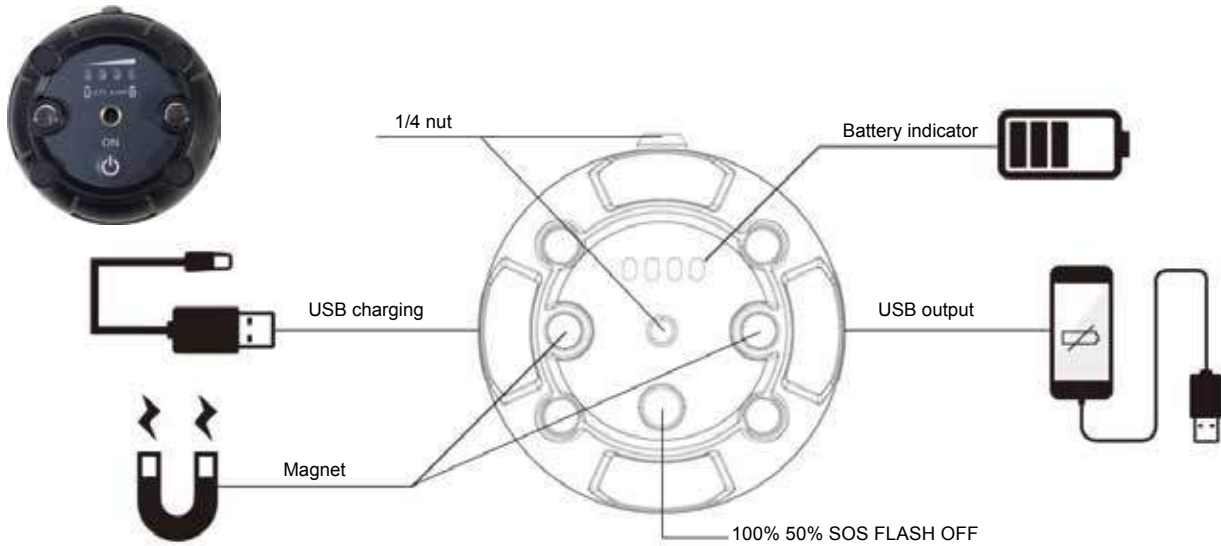
With magnet on the back.

USB

USB input&output

1/4 thread on both side and bottom

Can work with all the accessories with 1/4 screw.



L01-1009C-W

Ⓟ 2.7W

💡 300LM

🕒 2-3H (3*AAA:3*(1.5V 1.2AH))

🛡️ IP44

Size & Weight

φ82x95mm & 251g

Beam Angle

60 Degree(half angle) 120 Degree(full angle)

Battery

AAA*3

RA

>70

CCT

6500K(optional)

Working Mode

High-low-sos-off

Accessory

optional(excluded)



Magnet

Magnet on the base.Strong magnet can attach to Iron surface.

Rotatable

Magnetic base makes ball light rotation in any direction.

1/4 thread on the bottom

Can work with all the accessories with 1/4 screw.



Magnetic



L01-2009C-W

- Ⓟ 5W
- 💡 600LM
- 🔌 4-5H(5V, 1A)
- 🕒 3H
- 🛡️ IP44

Size & Weight
φ86x97mm & 400g

Beam Angle
60 Degree(half angle) 120 Degree(full angle)

Battery
3.7V 4000mAh

RA
>70

CCT
6500K(optional)

Working Mode
High-low-sos-off

Accessory
optional(excluded)

Battery protection
Over-discharging protection and
over-charging protection



USB

USB input & output

Battery Indicator

Charging indicator.

Magnet

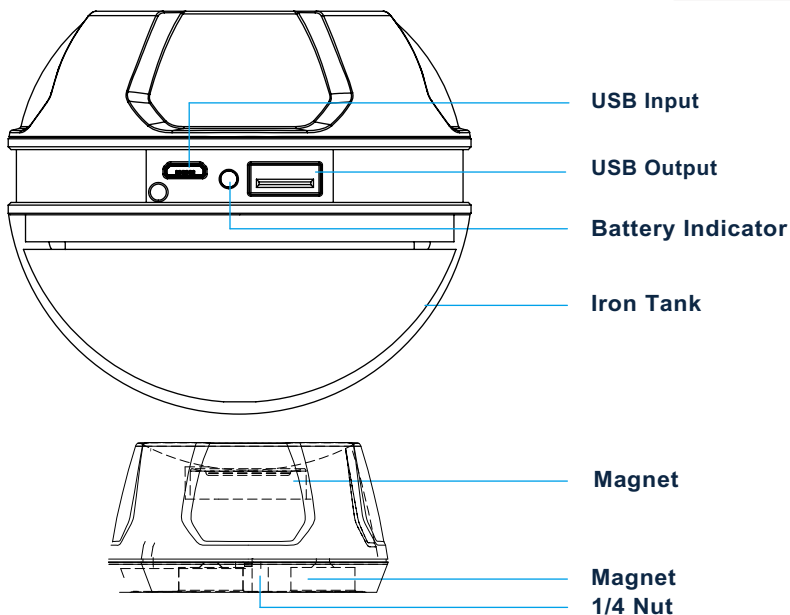
Magnet on the base. Strong magnet can attach to Iron surface.

Rotatable

Magnetic base makes ball light rotation in any direction.

1/4 thread on the bottom

Can work with all the accessories with 1/4 screw.





More Than 10 Years Experience For Rechargeable LED Lighting Products
Always Focus On The New Concept Application
ODM&OEM Cooperation welcomed

LUCOH[®]
INDUSTRIAL SITE LIGHT

Office Add:Rm.,1401,No.4 BLDG.,Huacai Centre,No.567 Dengcai Street, Sandun,
Hangzhou, Zhejiang, China.

Jiande Factory Add:NO.106-5,Dongmen Street,Meicheng Town,Jiande City,Hangzhou,China.

E-mail:sales@lucoh.com

Young@lucoh.com

Tel:+86-571-87114761

Fax:+86-571-87114571

<http://www.lucoh.com>